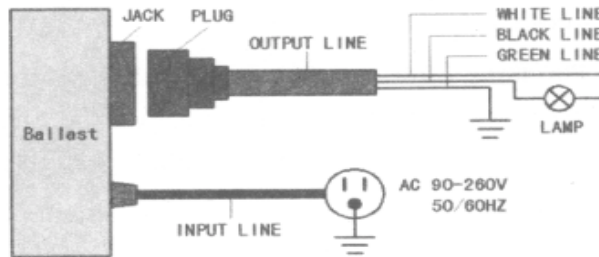
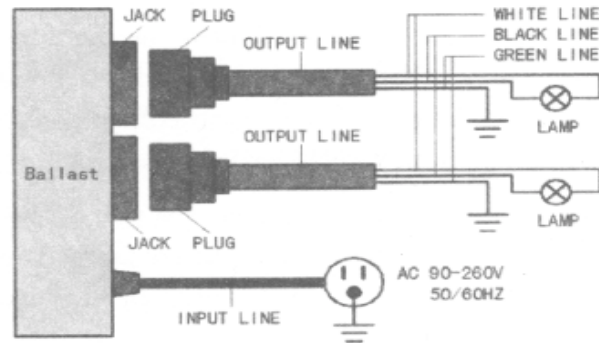


Wiring drawing

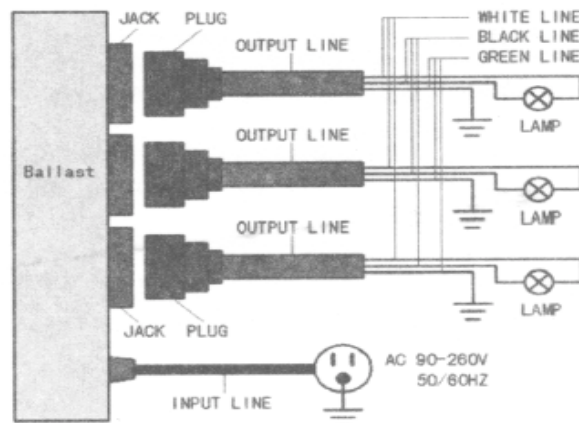
1. Single Output



2. Dual Output



3. Triple Output



Metal Halide Electronic Ballasts



Vue Technology LLC
38190 Commercial Ct.
Slidell, LA 70458 U.S.A
Tel. (985)781-9078
Fax: (985)781-9081
Email: support@coralvue.com
Web: <http://www.coralvue.com>

Product Characteristics

- a) Optimum operating voltage range: 90-260VAC 50/60Hz
- b) Capable of eliminating strobo flash of 50Hz alternating current
- c) Dual constant power, capable of eliminating color difference during lamp lighting
- d) High power factor > 0.99
- e) Low Total Harmonic Distortion <5%
- f) Capable of protection in case of error state of tube and clocking protection
- g) Capable of high temperature protection
- h) Ambient temperature: -25 to +55° C, casing temperature max 75° C
- i) Longer lamp life (approx. 50%)
- j) Reduce power consumption (up to 25%)

Installation Guide

- a) Connect as electrical wiring drawing instructed. It should be noticed that the electronic ballast will be damaged if connection method is not correct.
- b) Do not use with self-starting lamp bulb.
- c) Install ballast in a place where there is good ventilation. Do not install the ballast in a place which has dust or high humidity.
- d) If you use 2 sets of ballasts or more, put enough space between for each installation.
- e) Do not use ballast around combustible gas or causticity gas.
- f) Do not open or alter the product. This can cause malfunction as well as electric shock.

Precaution

- a) It takes about 12 minutes for metal halide lamp to reach its maximum luminance level.
- b) The lamp bulb should be allowed to cooling down before reignition, (Normally around 5 min.) because the life hour of the lamp bulb greatly decreased if reignition takes place in high temp condition.
- c) In order to protect the lamp, intellectual design is incorporated into the ballast to prevent instant reignition. The built in timer delays all reignition signals from operator until the condition is suitable for reignition. Then the ballast reignites the lamp automatically.
- d) To install the electronic ballast in the luminary fixture, the highest environment temperature allowed is around 50° C. However, it should be noticed that the electronic ballast shall be installed far away from the lamp. Which helps prolong its working life.
- d) Do not use the electronic ballast with a GFI. They do not work because the GFI's are too sensitive. The electronic ballast has a built in safety feature for this purpose.

Warranty

- All ballasts come with a 2 year warranty.
- The ballast will be warranted for any mechanical or electrical failure from normal wear and tear.
- The ballast will NOT be warranted for any physical abuse, water damage, or salt corrosion.
- Vue Technology will NOT warranty the ballast without the original proof of purchase from an authorized reseller.